



Micro Commercial Components

Micro Commercial Components
 20736 Marilla Street Chatsworth
 CA 91311
 Phone: (818) 701-4933
 Fax: (818) 701-4939

MBRX02520 THRU MBRX025100

**0.25 Amp
Schottky Barrier
Rectifier
20 to 100 Volts**

Features

- High Current Capability
- Extremely Low Thermal Resistance
- Reverse Energy Tested
- Guard Ring Protection
- Low Forward Voltage

Maximum Ratings

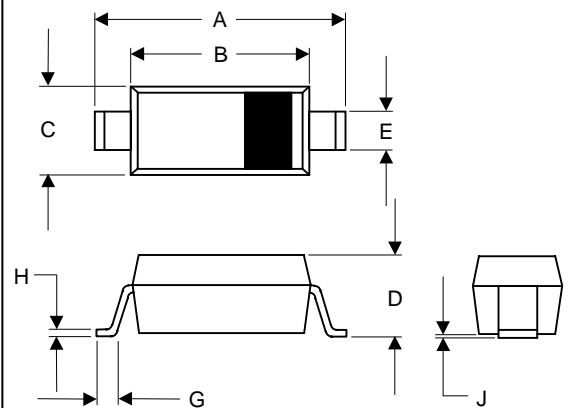
- Operating Temperature: -55°C to +150°C
- Storage Temperature: -55°C to +150°C
- Maximum Thermal Resistance: 65°C/W Junction to Lead
- Case Material: Molded Plastic. UL Flammability Classification Rating 94V-0

MCC Catalog Number	Device Marking	Maximum Recurrent Peak Reverse Voltage	Maximum RMS Voltage	Maximum DC Blocking Voltage
MBRX02520	N/A	20V	14V	20V
MBRX02530	N/A	30V	21V	30V
MBRX02540	N/A	40V	28V	40V
MBRX02550	N/A	50V	35V	50V
MBRX02560	N/A	60V	42V	60V
MBRX02580	N/A	80V	56V	80V
MBRX025100	N/A	100V	70V	100V

Electrical Characteristics @ 25°C Unless Otherwise Specified

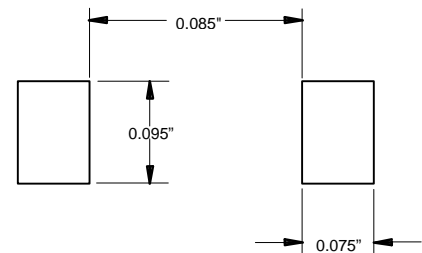
Average Forward Current	$I_{F(AV)}$	0.25A	$T_J=115^\circ\text{C}$
Peak Forward Surge Current	I_{FSM}	12.5A	8.3ms half sine
Maximum Instantaneous Forward Voltage MBRX02520 MBRX02530-40 MBRX02550-60 MBRX02580-100	V_F	0.45V 0.55V 0.70V 0.85V	$I_{FM}=0.25A$ $T_J=25^\circ\text{C}$
Maximum DC Reverse Current At Rated DC Blocking	I_R	0.5mA 20mA	$T_A=25^\circ\text{C}$ $T_A=100^\circ\text{C}$
Typical Junction Capacitance	C_J	10pF	Measured at 1.0MHz, $V_R=4.0V$

SOD323



DIM	INCHES		MM		NOTE
	MIN	MAX	MIN	MAX	
A	.090	.107	2.30	2.70	
B	.063	.071	1.60	1.80	
C	.045	.053	1.15	1.35	
D	.031	.045	0.80	1.15	
E	.010	.016	0.25	0.40	
G	.004	.018	0.10	0.45	
H	.004	.010	0.10	0.25	
J	-----	.006	-----	0.15	

SUGGESTED SOLDER PAD LAYOUT



MBRX02520 thru MBRX025100

Figure 1
Typical Forward Characteristics

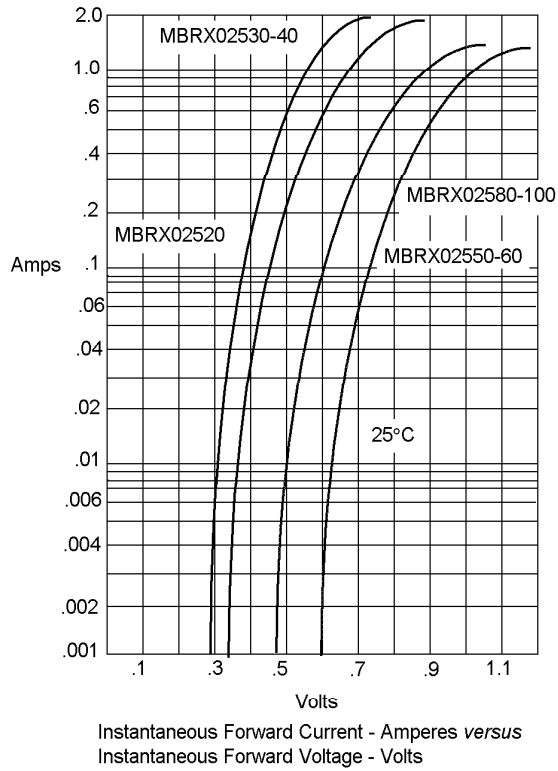
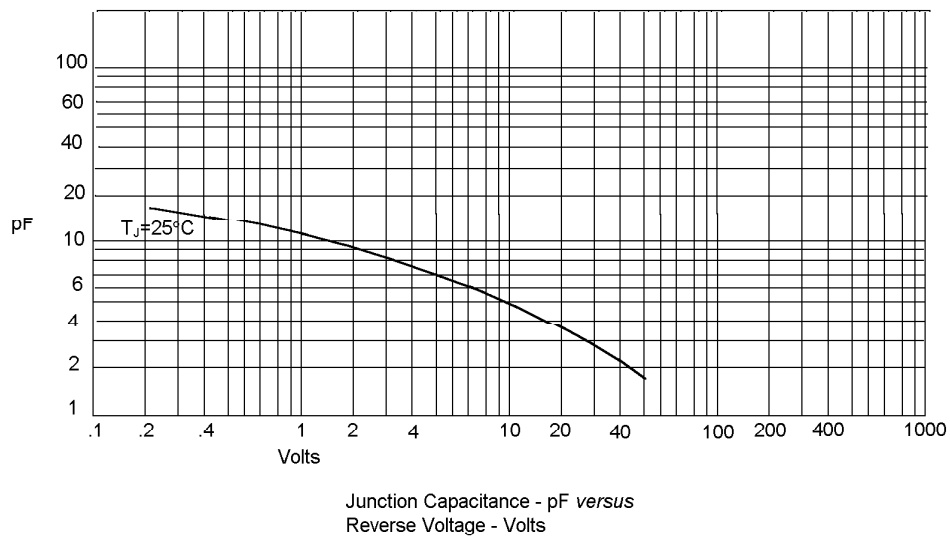
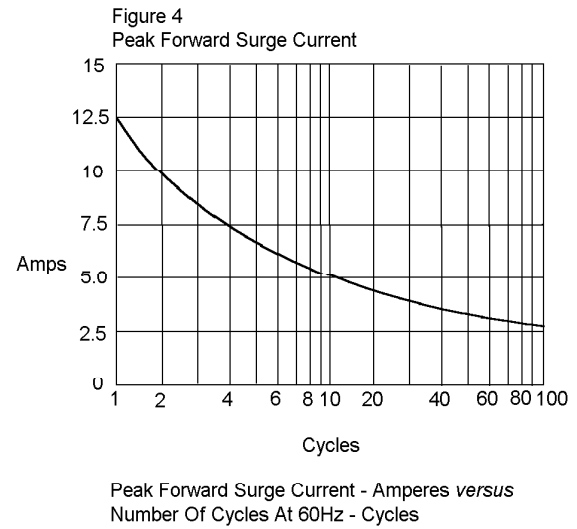
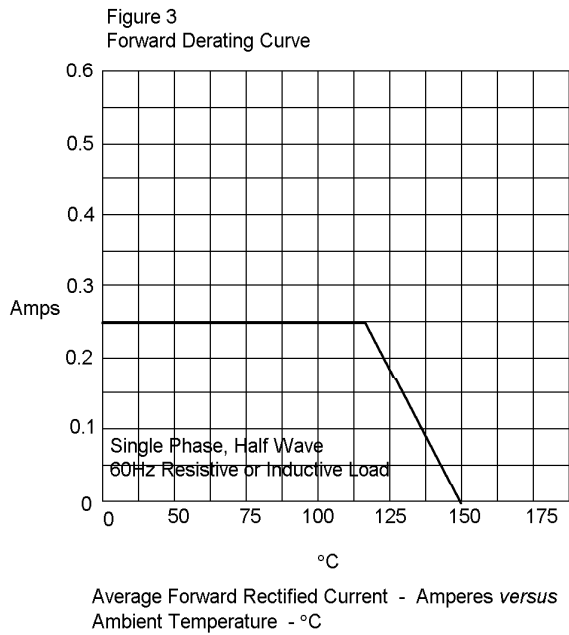


Figure 2
Junction Capacitance



MBRX02520 thru MBRX025100





Micro Commercial Components

Ordering Information

Device	Packing
(Part Number)-TP	Tape&Reel;3Kpcs/Reel

IMPORTANT NOTICE

Micro Commercial Components Corp. reserves the right to make changes without further notice to any product herein to make corrections, modifications, enhancements, improvements, or other changes. *Micro Commercial Components Corp.* does not assume any liability arising out of the application or use of any product described herein; neither does it convey any license under its patent rights, nor the rights of others. The user of products in such applications shall assume all risks of such use and will agree to hold *Micro Commercial Components Corp.* and all the companies whose products are represented on our website, harmless against all damages.

APPLICATIONS DISCLAIMER

Products offer by *Micro Commercial Components Corp.* are not intended for use in Medical, Aerospace or Military Applications.